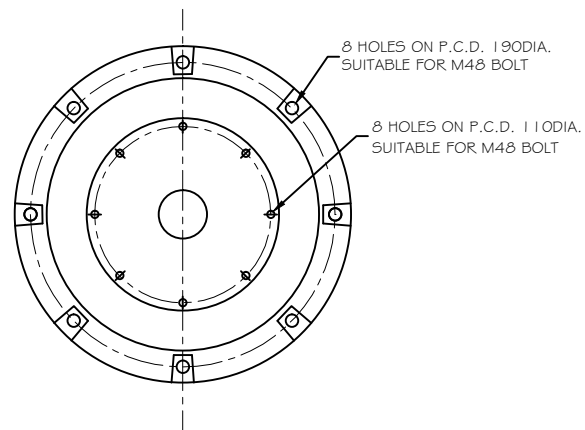
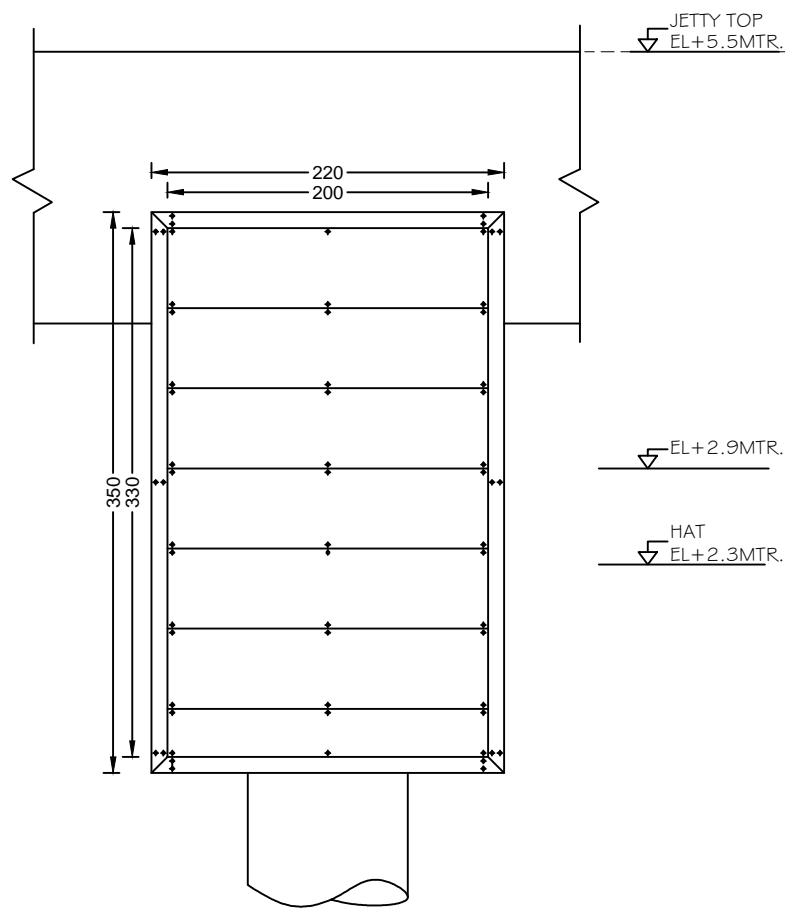


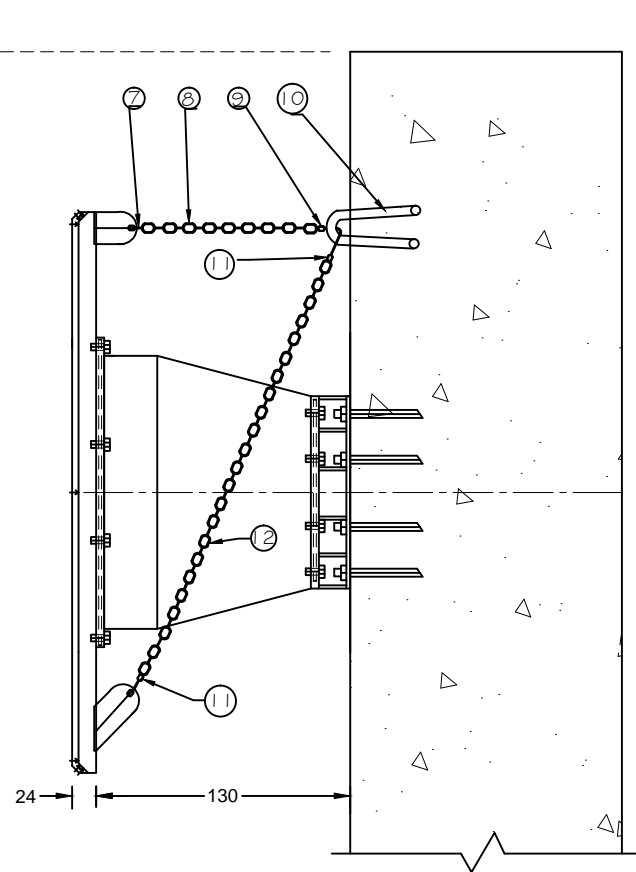
PLAN



HOLE ORIENTATION OF SCN 1300H CONE FENDER




ELEVATION



SIDE VIEW

SR.NO.	DESCRIPTION	MATERIAL	QTY.	REMARK
1	CONE FENDER	NATURAL RUBBER # STEEL	1	1300H
2	FRONTAL FRAME	M.S. (PAINTED-EPOXY BLUE)	1	2200L X 3500W X 240H
	FEMALE BUSH FOR FENDER MTG.	M.S. (PAINTED-EPOXY BLUE)	8	M42
3	FACIA PAD	U.H.M.W.P.E. (COLOUR-BLACK)	8	40 THK.
4	FACIA PAD FIXING HEX BOLT	SS 316	48	M16 x 40 L
	WASHER	SS 316	48	M16
5	FENDER FIXING HEX BOLT	SS 316	8	M42 x 110 L
	LIP WASHER	SS 316	8	M42
6	SUPER ANCHOR BOLT	SS 316	8	42 x 450 L
	HEX NUT	SS 316	8	M42
	LIP WASHER	SS 316	8	M42
7	'D' SHACLE	ZINC PLATED	2	∅ 32 MM
8	TENSION CHAIN	MS. HOT DIP GALVANISED	2	∅ 32 MM x 845 LG
9	ADJUSTABLE SHACKLE	MS. HOT DIP GALVANISED	2	∅ 32 MM
10	'U' BOLT ANCHOR	SS 316	2	∅ 42 MM
11	'D' SHACKLE	ZINC PLATED	2	∅ 32 MM
12	WEIGHT CHAIN	MS. HOT DIP GALVANISED	2	∅ 32 MM x 3000 LG

NOTE :  
1 ALL WRITTEN DIMENSIONS ARE IN CMS. UNLESS SPECIFIED OTHERWISE.

SCALE -1:30		 <b>MORMUGAO PORT TRUST</b>	
REVISION	DATE:-	DRN :	
		JE (III) :	
		AEN (D#D) :	
		XEN (D#D) :	
		SE (P) :	
		CHIEF ENGINEER:	
1300 SIZE SCN CONE FENDER AT BREAKWATER BERTH		DATE :-29/06/2019	
		DRG.NO: H/ 857/R	