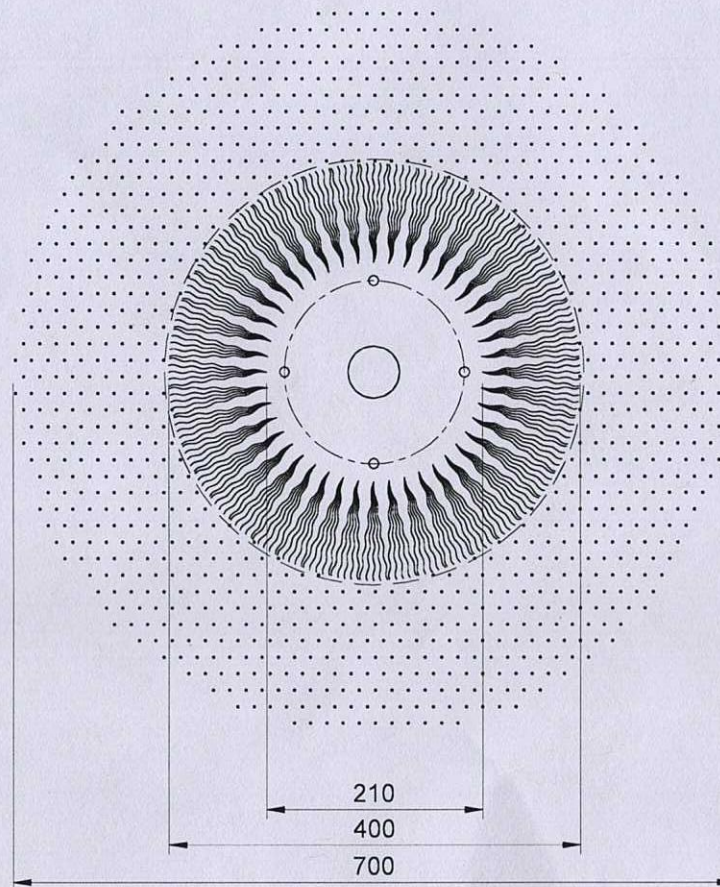
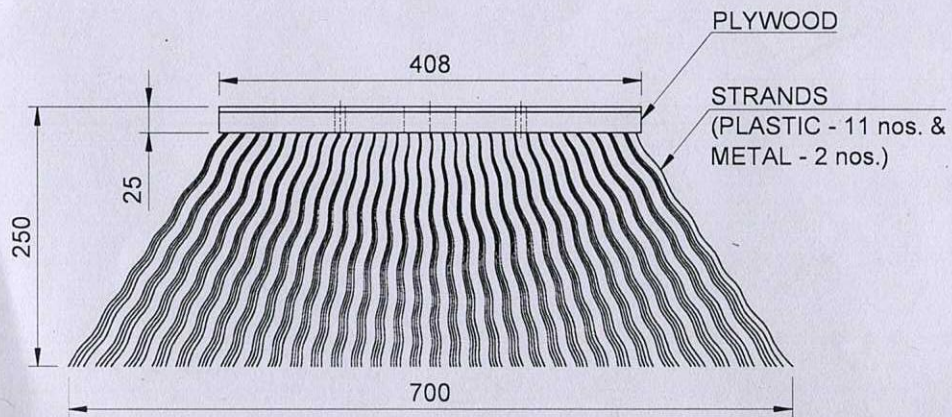


TOP VIEW



BOTTOM VIEW



FRONT VIEW

ALL DIMENSIONS ARE IN MM.



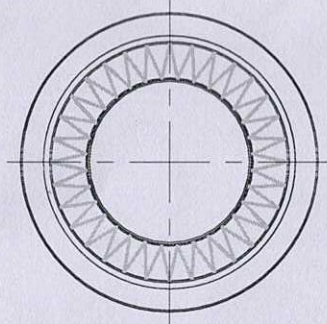
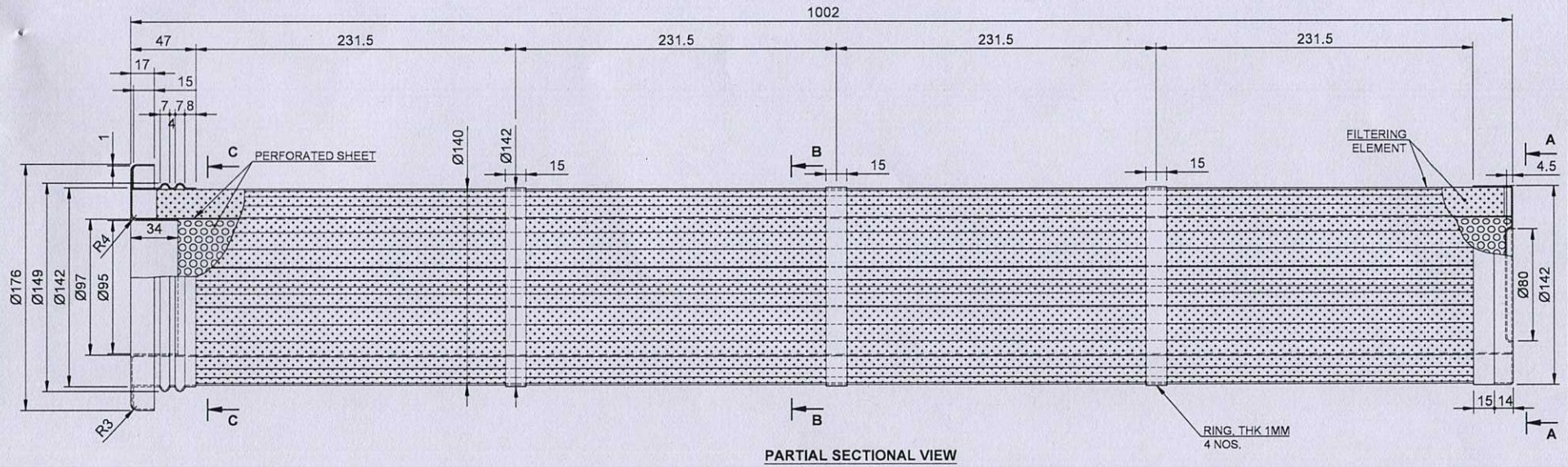
AN ISO 9001:2015 CERTIFIED & ISPS CODE COMPLIANT PORT

MORMUGAO PORT TRUST

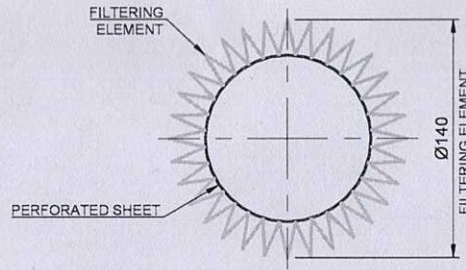
ENGG. MECH. DEPT.

SIDE BRUSH FOR ROAD SWEEPER VEHICLE

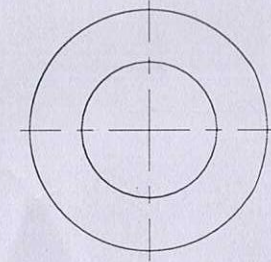
DATE	20-09-2022	DRG. NO.	20180129-1	REV. 1	Sheet 1/1
SCALE	N.T.S				



SECTION : C - C




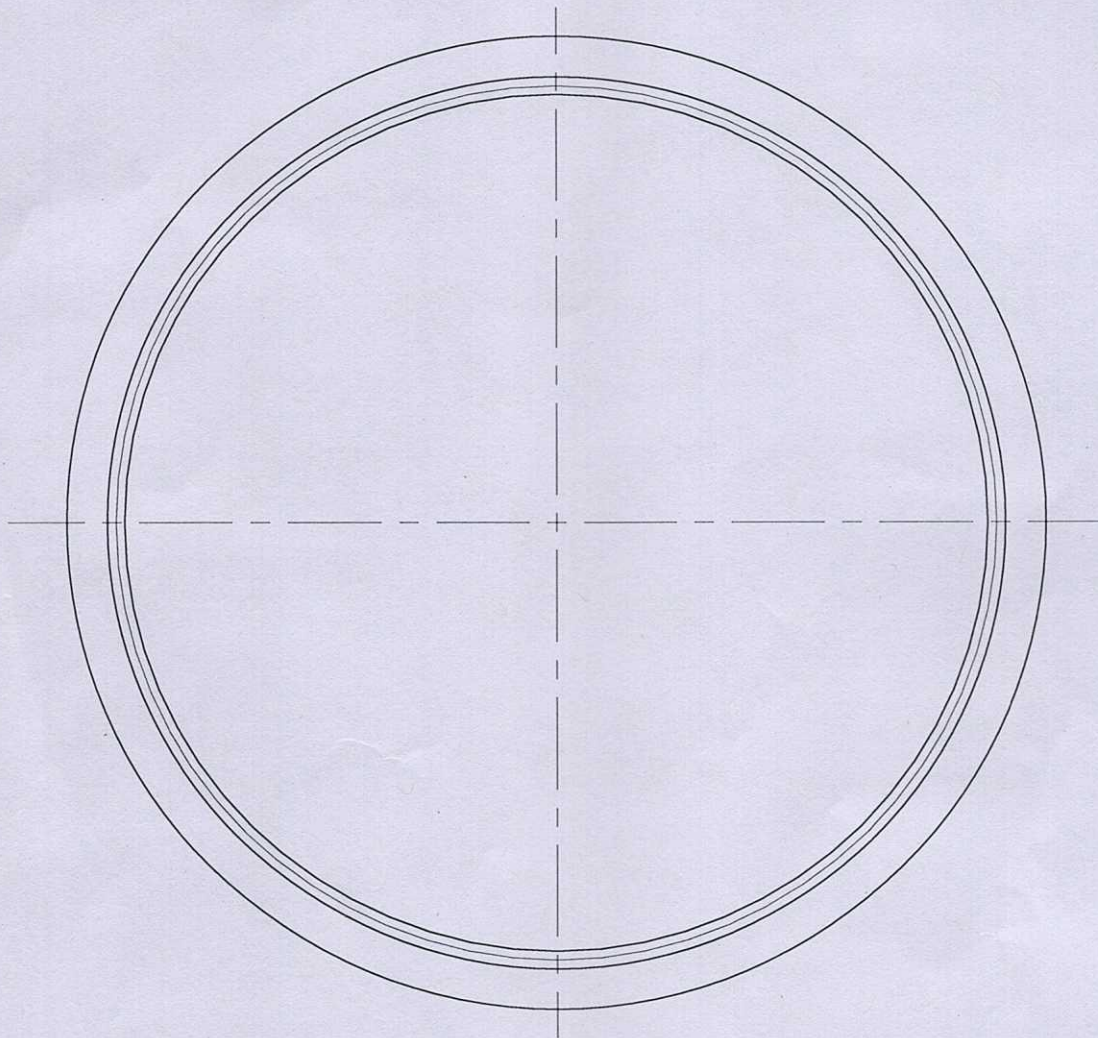
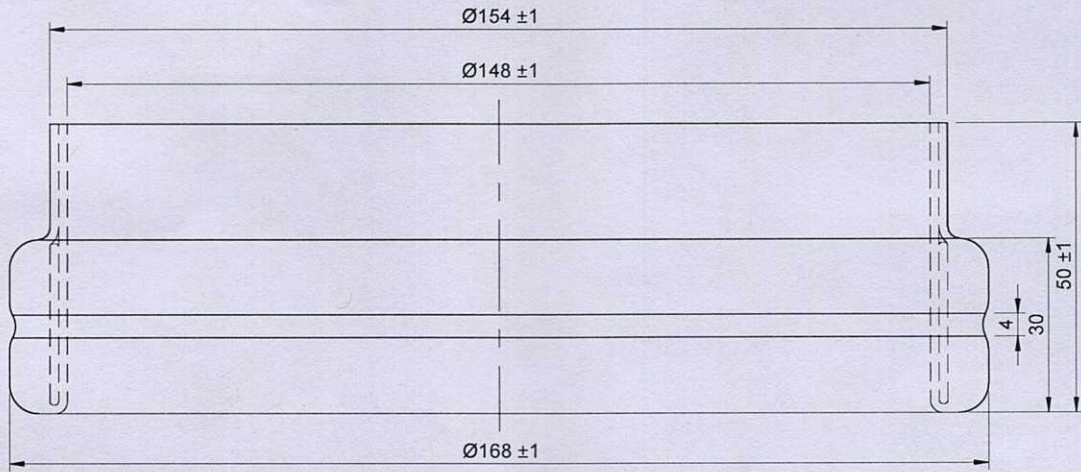
SECTION : B - B



VIEW : A - A

ALL DIMENSIONS ARE IN MM.

	MORMUGAO PORT TRUST ENGG. MECH. DEPT.			
	FILTER FOR ROAD SWEEPER MACHINE			
DATE	20-11-2018	DRG. NO.	20181120-1	REV. 0
SCALE	N.T.S			Sheet 1/1



ALL DIMENSIONS ARE IN MM.



AN ISO 9001:2015 CERTIFIED & ISO 9000 COMPLIANT PORT

MORMUGAO PORT TRUST

ENGG. MECH. DEPT.

COLLAR FOR ROAD SWEEPER FILTER

DATE	18-06-2020	DRG. NO.	20200618-1	REV. 0	Sheet 1/1
SCALE	N.T.S				