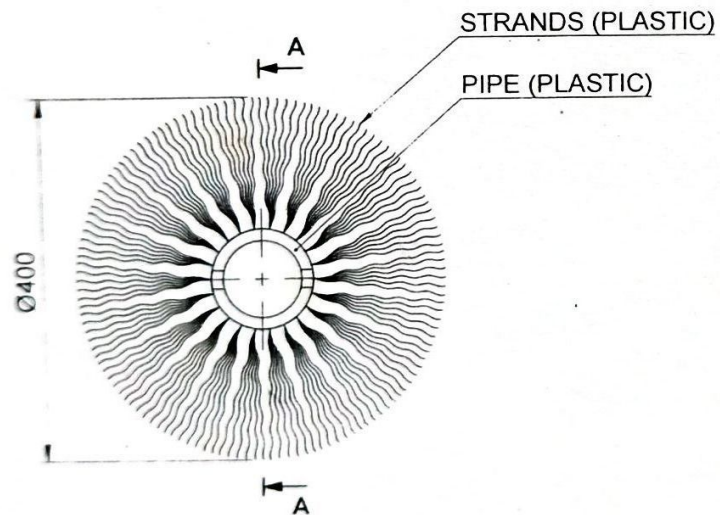

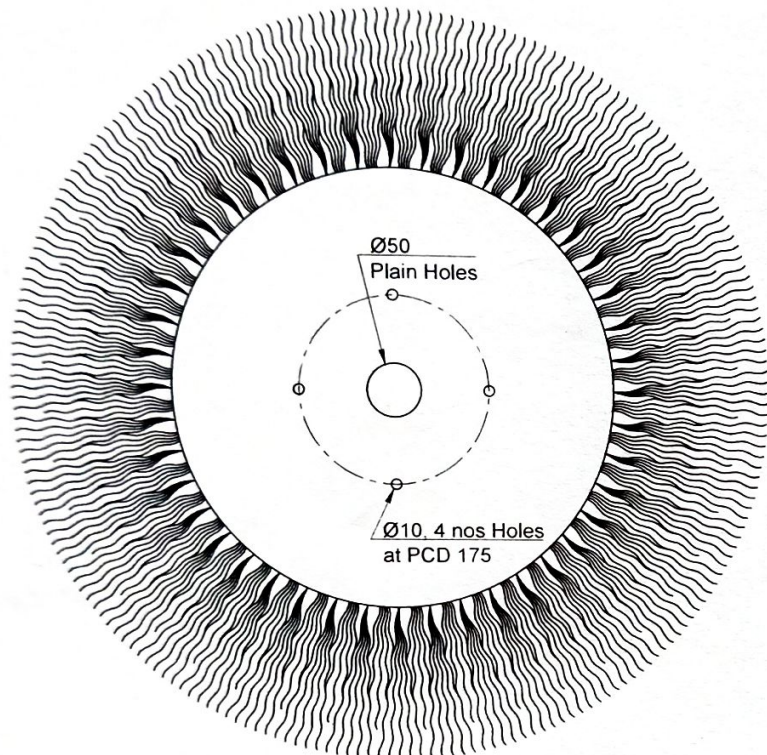


SECTION A-A

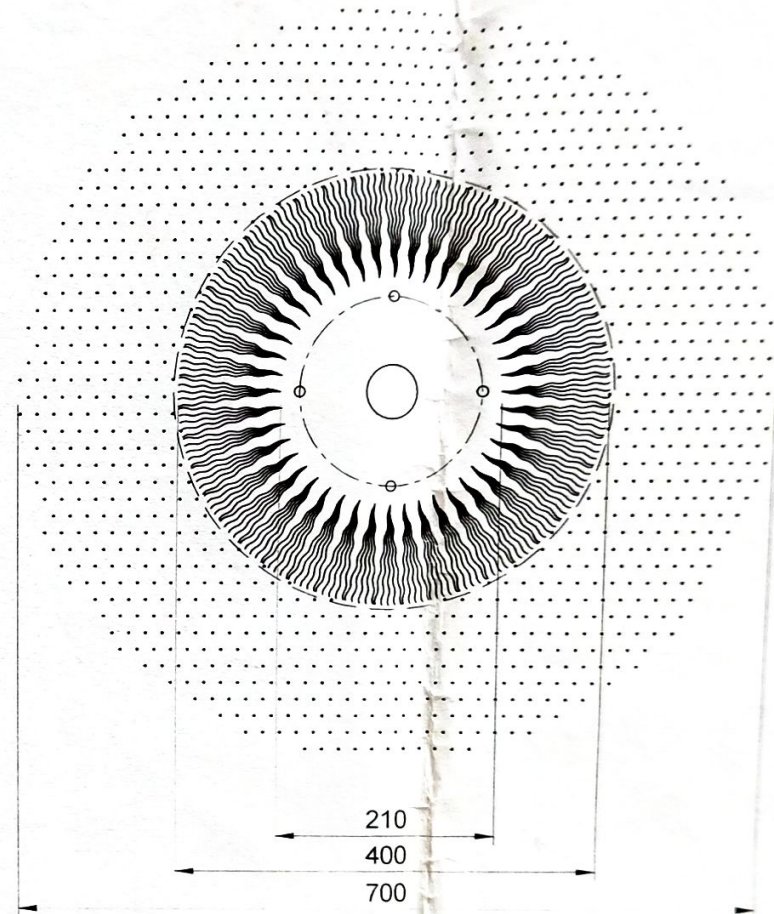


ALL DIMENSIONS ARE IN MM.

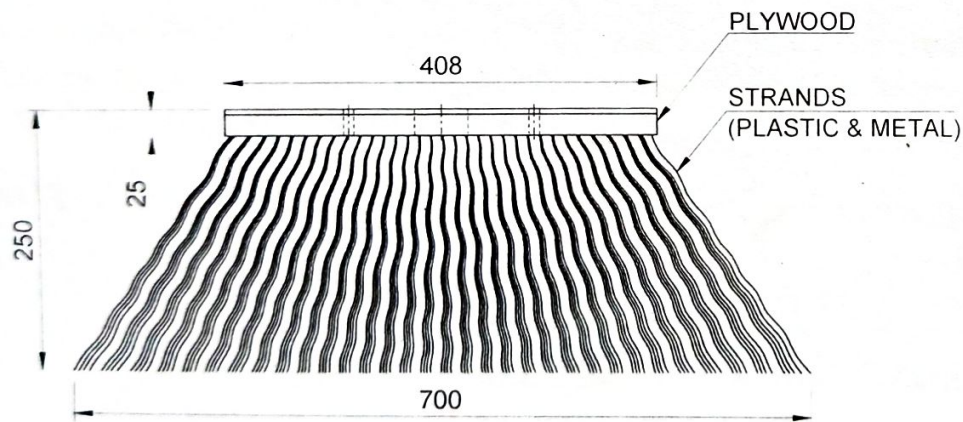
		MORMUGAO PORT TRUST ENGG. MECH. DEPT.		
CENTER BRUSH FOR ROAD SWEEPER VEHICLE				
DATE	29-01-2018	DRG. NO.	20180129-2	REV. 0
SCALE	N.T.S			Sheet 1/1



TOP VIEW



BOTTOM VIEW



FRONT VIEW

ALL DIMENSIONS ARE IN MM.



MORMUGAO PORT TRUST
INDIA MARITIME & ISLAND DEVELOPMENT
CORPORATION LIMITED

MORMUGAO PORT TRUST
ENGG. MECH. DEPT.

SIDE BRUSH FOR ROAD SWEEPER VEHICLE

DATE	29-01-2018	DRG. NO.	20180129-1	REV. 0	Sheet 1/1
SCALE	N.T.S				