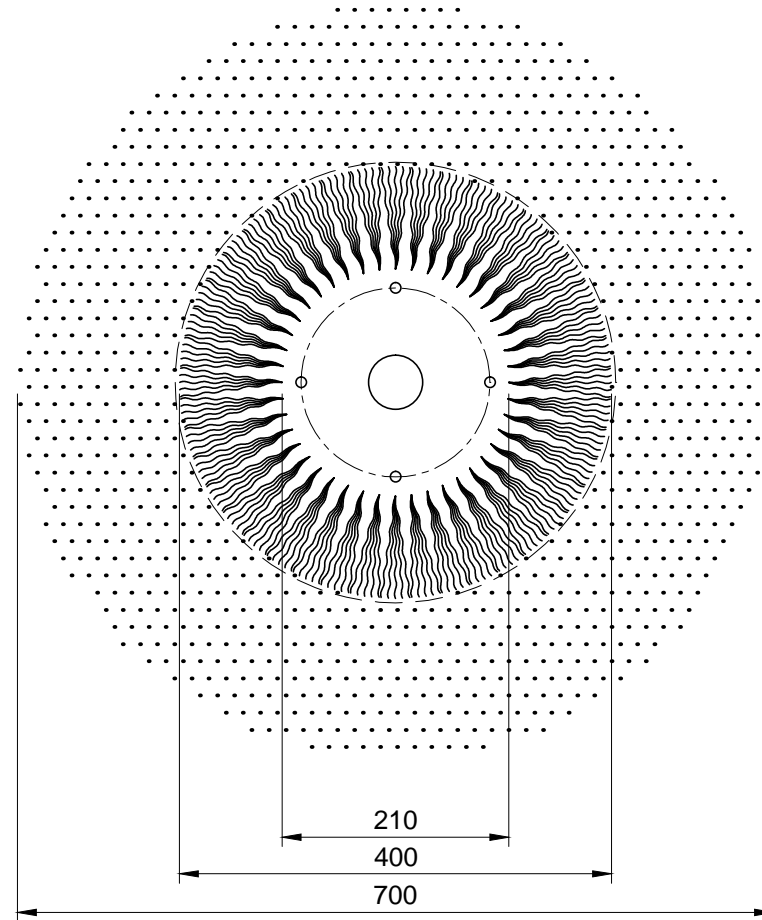
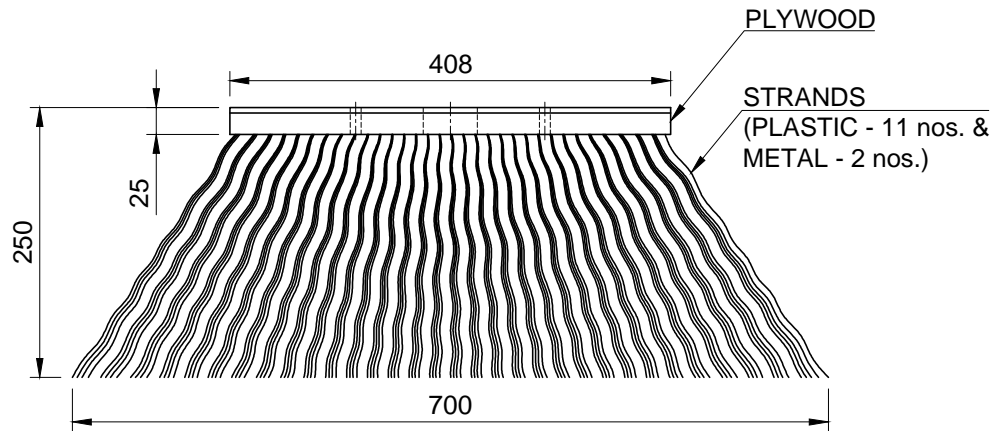


TOP VIEW



BOTTOM VIEW



FRONT VIEW

ALL DIMENSIONS ARE IN MM.



AN ISO 9001:2015 CERTIFIED & ISPS CODE COMPLIANT PORT

MORMUGAO PORT TRUST
ENGG. MECH. DEPT.

SIDE BRUSH FOR ROAD SWEEPER VEHICLE

DATE	20-09-2022	DRG. NO.	20180129-1	REV. 1	Sheet 1/1
SCALE	N.T.S				