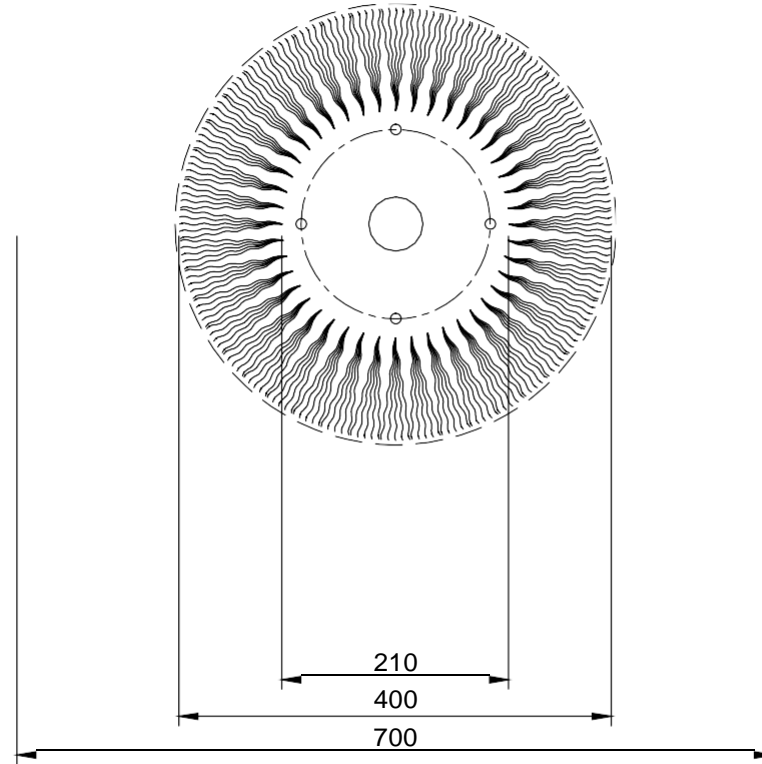
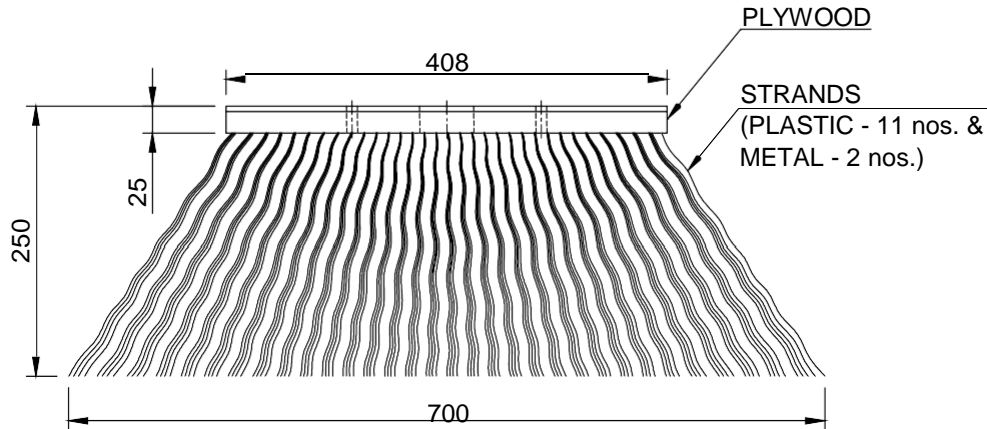


TOP VIEW



BOTTOM VIEW



FRONT VIEW

ALL DIMENSIONS ARE IN MM.



MORMUGAO PORT TRUST
ENGG. MECH. DEPT.

SIDE BRUSH FOR ROAD SWEEPER VEHICLE

DATE	20-09-2022	DRG. NO.	20180129-1	REV.	1	Sheet
SCALE	N.T.S					1/1